

# GRAS 40A0

1/2" Prepolarized Pressure Microphone



Freq range: 3.15 Hz to 20 kHz  
Dyn range: 20 dB(A) to 163 dB  
Sensitivity: 12.5 mV/Pa

The 40A0 is an IEC 61094 WS2P 1/2" prepolarized pressure microphone with rear-venting. Read about the externally polarized equivalent [40AG]. It is a high-precision condenser microphone made according to IEC 61094-4 requirements and is ideal for coupler measurements in both laboratory and production environments. It is extremely robust and reliable and can measure sound pressure levels up to 160 dB in the range of 3.15 Hz to 20 kHz. 40A0 is individually factory-calibrated and delivered with a calibration chart stating its specific open-circuit sensitivity and pressure frequency response.

### Typical applications and use

The broad working range and reliability has made 40AO the preferred prepolarized microphone for coupler and ear simulator setups and is the natural supplement or replacement of existing solutions. The 40AO is especially suited for audiometer calibration when using a sound level meter / analyzer without a 200 V polarization feature.

It is used for production line testing in coupler setups for test of hearing aids, earphones, headphones, and headsets.

The KEMAR Manikin can also be configured with 40AO for wide-band binaural sound quality recordings.

40AO can be used in

- GRAS IEC 60318-1 Ear Simulator RA0039
- GRAS IEC 60318-5 2cc Coupler RA0038 (incl. protection grid)
- GRAS KEMAR Manikin 45BB

40AO is included in

- GRAS IEC 60318-4 (60711) Ear Simulator RA0045-S1
- GRAS IEC 60318-1 & -2 Ear Simulator System Type 43AA-S2

Other coupler systems can be configured with the 40AO and a CCP preamplifier on request.

The 40AO is a very versatile microphone when connected to the RA0067 Transmitter Adapter for 1/2" Microphones. The 40AO becomes a high-impedance sound source when the RA0067 takes a calibration signal directly from the signal generator and makes the microphone behave like an electrostatic loudspeaker. In a coupler, this gives a frequency response that is as good as when the 40AO behaves like a microphone.

A front-vented version is available, the 40AO-FV 1/2" Prepolarized Pressure Front Vented Microphone.

### Compatibility

The 40AO requires a standardized 1/2" or 1/4" CCP preamplifier and an input module that supports this technology with a BNC, SMB, or Microdot connector.

### System verification

For daily verification and check of your measurement setup, we recommend using a calibrator like GRAS Sound Level Calibrator 42AG.

For proper sensitivity calibration, we recommend using a pistonphone like GRAS Intelligent Pistonphone 42AP.

### Calibration

When leaving the factory, all GRAS microphones have been calibrated in a controlled laboratory environment using traceable calibration equipment. Depending on the use, measurement environment and internal quality control programs we recommend that the microphone is recalibrated at least once a year.

We offer two kinds of calibration as an optional after-sales service: GRAS Traceable Calibration and GRAS Accredited Calibration.

GRAS Traceable Calibration is a traceable calibration performed by trained personnel under controlled conditions according to established procedures and standards. This is identical to the rigorous calibration that all GRAS microphones are subjected to as an integral part of our quality assurance.

GRAS Accredited Calibration is performed by the GRAS Accredited Calibration Laboratory that has been accredited in accordance with ISO 17025 by DANAK, the Danish Accreditation Fund.

If you want a new microphone set delivered with an accredited calibration in stead of the default factory calibration, specify this when ordering.

Learn more at [gras/calib](https://www.gras.com/calib).

## Quality and warranty

All GRAS microphones are made of high-quality materials that will ensure life-long stability and robustness. The microphones are all assembled in verified clean-room environments by skilled and dedicated operators with many years of expertise in this field.

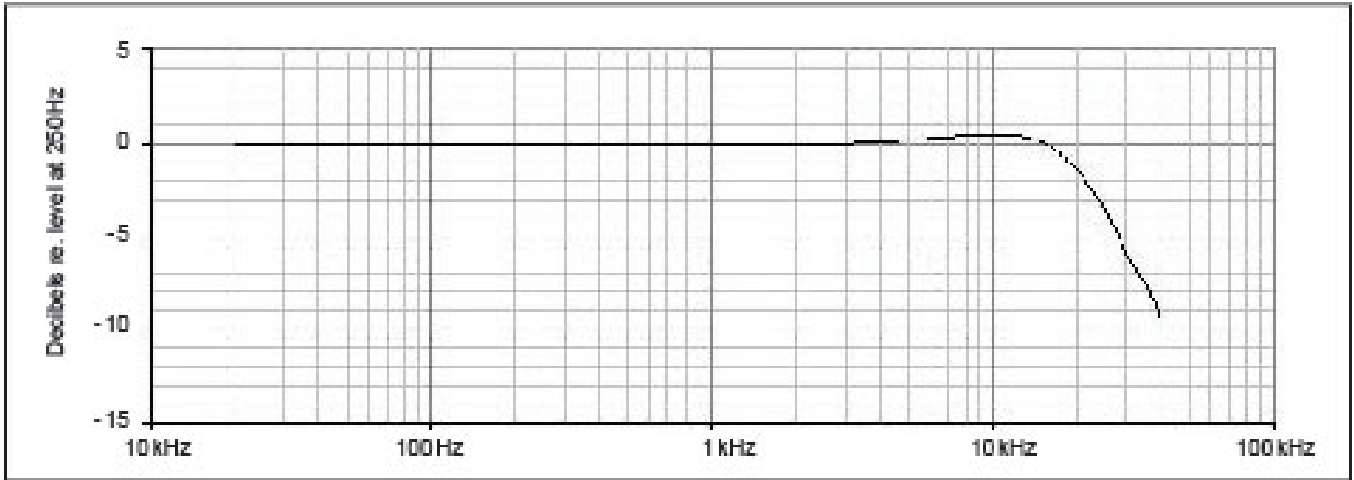
The microphone diaphragm, body, and improved protection grid are made of high-grade stainless steel, which makes the microphone resistant to physical damage, as well as corrosion caused by aggressive air or gasses.

This, combined with the reinforced gold-plated microphone terminal which guarantees a highly reliable connection, enables GRAS to offer 5 years warranty against defective materials and workmanship.

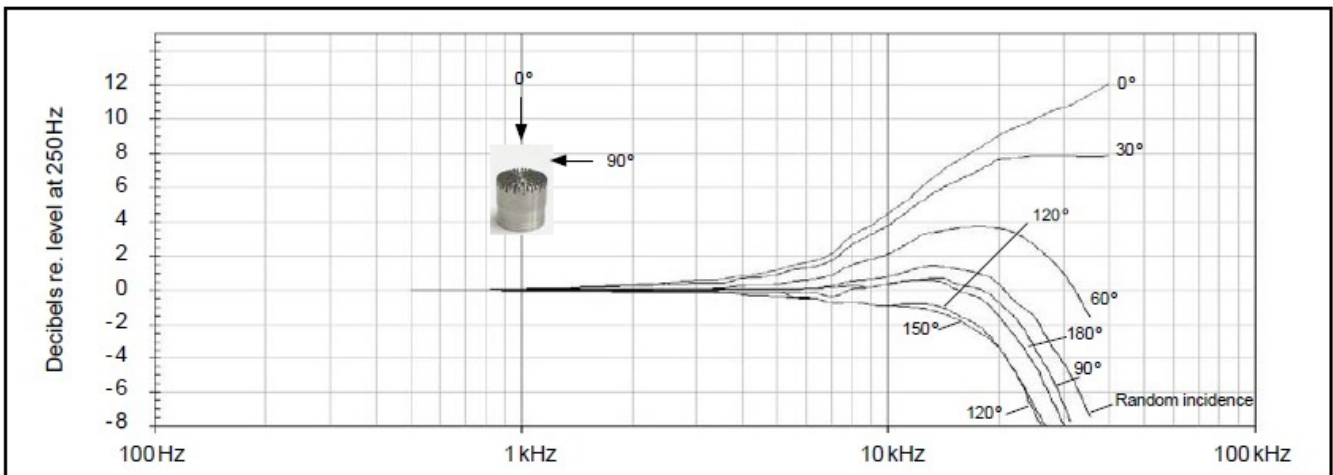
## Service

If you accidentally damage the diaphragm on a GRAS microphone, we can—in most cases—replace it at a very reasonable cost and with a short turn-around time. This not only protects your investment, but also pleases your quality assurance department because you don't have to worry about new serial numbers, etc.

Polarization/Connection		0 V / CCP
Frequency range ( $\pm 1$ dB)	Hz	5 to 12.5 k
Frequency range ( $\pm 2$ dB)	Hz	3.15 to 20 k
Dynamic range lower limit (microphone thermal noise)	dB(A)	20
Dynamic range lower limit with GRAS preamplifier	dB(A)	25
Dynamic range upper limit	dB	163
Dynamic range upper limit with GRAS preamplifier @ +28 V / $\pm 14$ V power supply	dB	153
Dynamic range upper limit with GRAS preamplifier @ +120 V / $\pm 60$ V power supply	dB	163
Dynamic range upper limit with GRAS CCP preamplifier	dB	150
Open-circuit sensitivity @ 250 Hz ( $\pm 3$ dB)	mV/Pa	12.5
Open-circuit sensitivity @ 250 Hz ( $\pm 3$ dB)	dB re 1V/Pa	-38
Resonance frequency	kHz	32
Microphone cartridge capacitance, typ.	pF	20
Microphone venting		Rear
Temperature range, operation	$^{\circ}\text{C}$ / $^{\circ}\text{F}$	-40 to 120 / -40 to 248
IEC 61094-4 Designation		WS2P
Temperature range, storage	$^{\circ}\text{C}$ / $^{\circ}\text{F}$	-40 to 85 / -40 to 185
Humidity range non condensing	% RH	0 to 90
Temperature coefficient @250 Hz	dB/ $^{\circ}\text{C}$ / dB/ $^{\circ}\text{F}$	-0.01 / -0.006
Humidity coefficient @250 Hz	dB/% RH	-0.001
Static pressure coefficient @250 Hz	dB/kPa	-0.007
Influence of axial vibration @1 m/s <sup>2</sup>	dB re 20 $\mu\text{Pa}$	66
CE/RoHS compliant/WEEE registered		Yes / Yes, Yes
Weight	g / oz	6.5 / 0.229



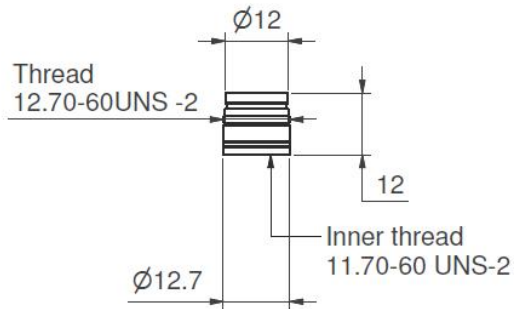
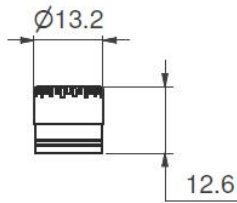
*Typical frequency response.*



*Free-field corrections for different angles of incidence*

GRAS Sound & Vibration reserves the right to change specifications without notice.

Dimensions in mm



GRAS 40A0	1/2" Prepolarized Pressure Microphone. This is the "standard" rear vented version
GRAS 40A0-FV	1/2" Prepolarized Pressure Microphone, Front Vented. This is the front vented version
GRAS 40A0-FV-S1	1/2" Prepolarized Pressure Microphone, Front Vented, High Level. This is a high level version with front venting.
GRAS CA0001	Traceable Calibration of Microphone
GRAS CA2001	Accredited Calibration of Microphone

GRAS Sound & Vibration reserves the right to change accessories without notice.

# GRAS Worldwide

Subsidiaries and distributors in more  
than 40 countries

**HEAD OFFICE, DENMARK**  
**GRAS SOUND & VIBRATION**  
Skovlytoften 33  
2840 Holte  
Denmark  
Tel: +45 4566 4046  
[www.GRASacoustics.com](http://www.GRASacoustics.com)  
[gras@grasacoustics.com](mailto:gras@grasacoustics.com)

**USA**  
**GRAS SOUND & VIBRATION**  
9290 SW Nimbus Avenue  
Beaverton, OR 97008  
Tel: 503-627-0832  
Toll Free: 800-231-7350  
[www.GRASacoustics.com](http://www.GRASacoustics.com)  
[sales-usa@grasacoustics.com](mailto:sales-usa@grasacoustics.com)

**UK**  
**GRAS SOUND & VIBRATION**  
Unit 115, Gibson House,  
Ermine Business Park, Huntingdon,  
Cambridgeshire, PE29 6XU  
Tel: +44 (0) 7762 584 202  
[www.GRASacoustics.com](http://www.GRASacoustics.com)  
[sales-uk@grasacoustics.com](mailto:sales-uk@grasacoustics.com)

**CHINA**  
**GRAS SOUND & VIBRATION**  
Room 315, RuiBo Center(T1)  
Lane683, Shenhong Rd,  
Minhang District,  
Shanghai, China, 201107  
Tel: +86 21 64203370  
[www.GRASacoustics.cn](http://www.GRASacoustics.cn)  
[cnsales@grasacoustics.com](mailto:cnsales@grasacoustics.com)



## About GRAS Sound & Vibration

GRAS is a worldwide leader in the sound and vibration industry. We develop and manufacture state-of-the-art measurement microphones and related equipment for industries where acoustic measuring accuracy and repeatability are of the utmost importance. This includes applications and solutions for customers within the fields of aerospace, automotive, audiology, consumer electronics and other highly demanding industries. GRAS microphones are designed to live up to the high quality, durability and accuracy that our customers have come to expect, trust and require.

GRAS Sound & Vibration is represented through subsidiaries and distributors in more than 40 countries and is part of Axiometrix Solutions, a leading test solutions provider comprised of globally recognized measurement brands. Read more at [www.grasacoustics.com](http://www.grasacoustics.com)

[grasacoustics.com](http://grasacoustics.com)

**GRAS**  
An Axiometrix Solutions Brand